

Advantages

- Cost effective
- Quicker
- All weather installation
- Installed in limited access areas
- Environmentally friendly
- Effective solution to poor soil conditions
- Immediate on site capacity verification
- No curing time
- Minimal disturbance to site

The CHANCE® Helical Pier Foundation Systems are designed, tested, and proven for applications in expansive soils, high water tables, fill areas, and unstable soils.

▶ John Clark
509-4730-2803

▶ Jim Eifler
509-3158-0099

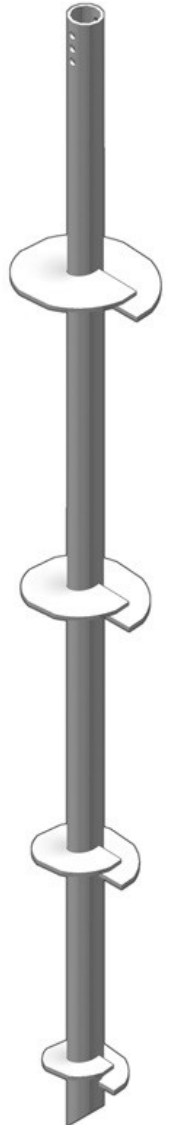
Finding the answer to unique foundation problems is simple with CHANCE Solutions.

Knowledgeable, experienced installers with thorough industry experience will provide you with peace of mind that you can depend on for your foundation.



Qualified Local Caribbean Installers

Since 1912, Chance has been the international leader in earth anchoring. Our helical piles are used worldwide to secure residential and commercial buildings, tower foundations, heavy equipment foundations and many other deep foundation applications. CHANCE® helical piles are approved by all national building code agencies.

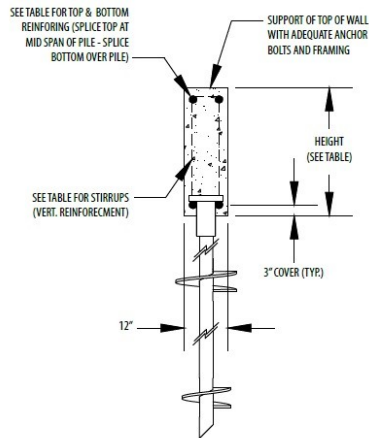


Foundation Support

CHANCE[®] Civil Construction deep foundation systems provide the high capacity piers/piles to stop settling and cracking of commercial and industrial structures. Selected by load requirements and soil conditions, our system offers capacities ranging to 120,000 pounds for each pier/pile.

For homeowners, special patented brackets are used to stabilize or lift foundations in distress

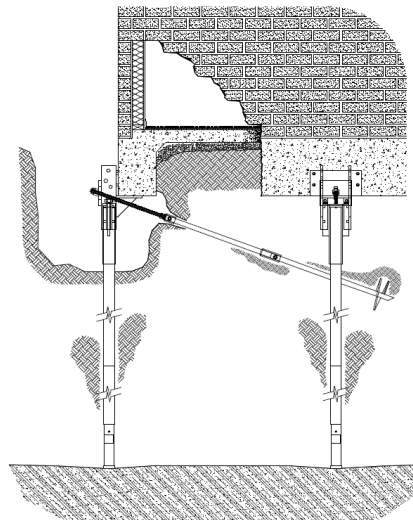
Our dealer/representatives are thoroughly trained and certified in installation procedures and are supported by our extensive technical-support services.



Resistance Pier & Helical Tieback Combo

For lateral support needed in conjunction with Atlas Resistance Pier

Where site conditions and load requirements warrant, this system combines CHANCE[®] helical tieback anchors with Atlas Resistance[®] Piers. The helical anchors contribute lateral support to the piers providing vertical support. This unique combination forms a fast, effective solution for challenges beyond the capabilities of other systems.



Typical Application Using Atlas Resistance[®] 2-Piece Modified Piers with Integrated Chance[®] Helical Tieback Anchors.

Resistance Pier & Helical Tieback Combo



- Anti-theft lighting foundations
- Utilitarian and decorative lighting solutions
- Economical
- No Site Preparation
- Pre-engineered
- Clean. No excavation or spoils removal

Utility foundations and guy anchors



Select from three lengths (5-, 8- or 10-ft.) in two sizes:
 • 6'-inch O.D. Shaft with 12-inch diameter Helix
 or
 • 8'-inch O.D. Shaft with 14-inch diameter Helix

